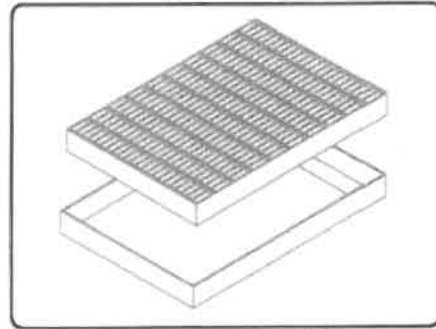
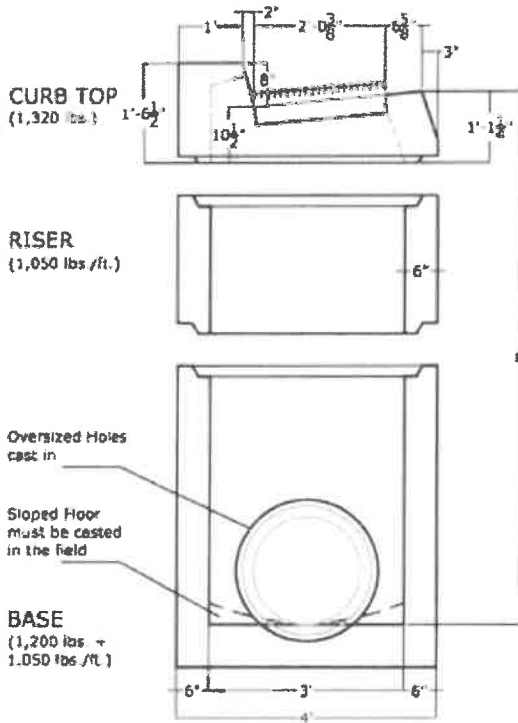


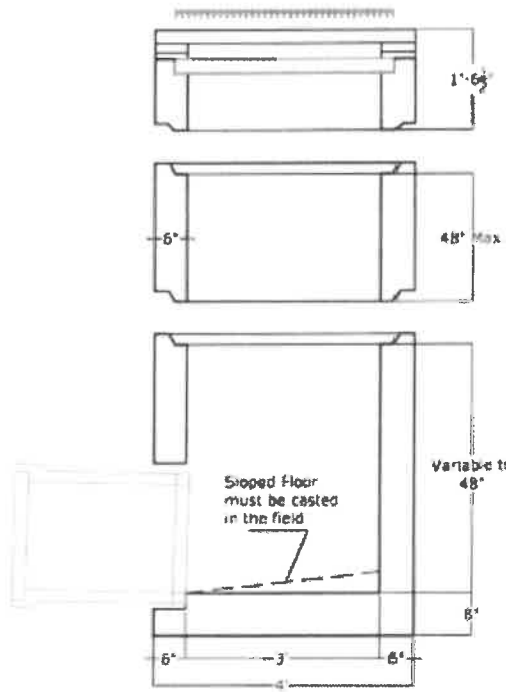
PLAN VIEW



Traffic Frame & Grate are specified per Caltrans standard details D77A or D77B



SECTION A-A



SECTION B-B

- NOTES:
1. GO structure in compliance with 2010 Revised Standard Plan RSP D73E
 2. Wall thickness is 6" when the distance between the outlet flow line and the top of grate is 8" or less
 3. Holes are cast in per plans requirements
 4. Integral base includes 8" flat floor. No slopes provided. Sloped floor must be cast in the field
 5. Steps installed.

GO CURB INLET