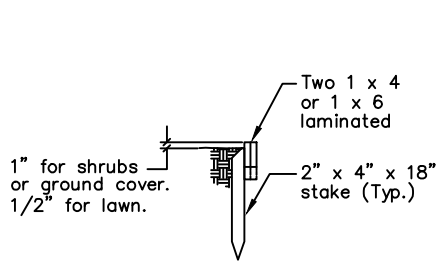
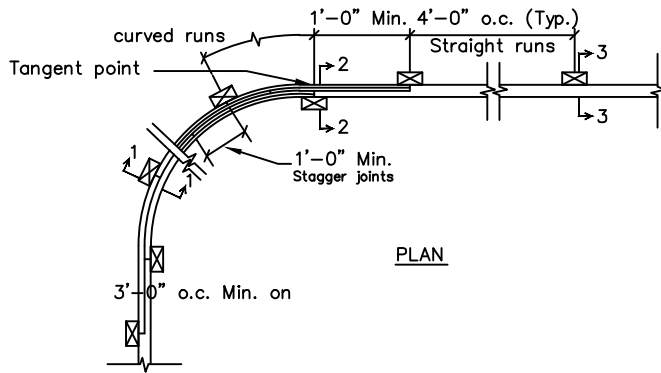
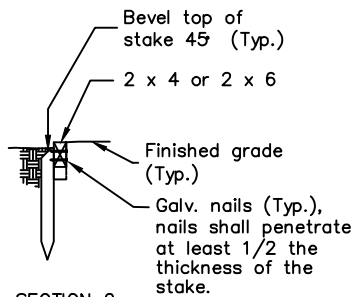


NOTES:

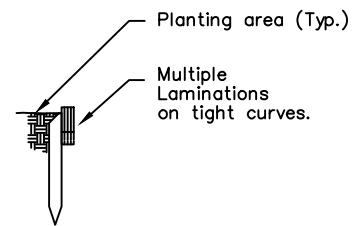
1. Modifications to these details may be necessary to preserve and protect existing trees, as directed by the City Engineer.
2. Headers and stakes are to be Redwood or pressure-treated DF No. 1.
3. Straight header to be 2 x 4 or 2 x 6 as indicated or specified.
4. Laminate multiple plies to equal 2" thickness accommodate tight curves. Depth of headers shall be 4" or 6" as indicated or specified.
5. Maximum longitudinal grade shall be 8.33%; Maximum transverse grade shall be 2%.
6. Driveway approaches to be Portland Cement Concrete or Asphalt Concrete across sidewalk.



SECTION 1



SECTION 2



SECTION 3

HEADER AND STAKING DETAILS
(Not to scale)

**CITY OF
PACIFICA**

Public Works Department
ENGINEERING DIVISION

**STANDARD
DECOMPOSED GRANITE
SIDEWALK**

			AUG 2014
			DWG. NO. 101C
REV	DATE	BY:	